



**DU85H**

103.51 lbs

High Speed Direct Drive Centrifugal Upblast Exhaust Fan with speed control (single phase only), disconnect switch and 15-3/4" wheel.

**Motor**

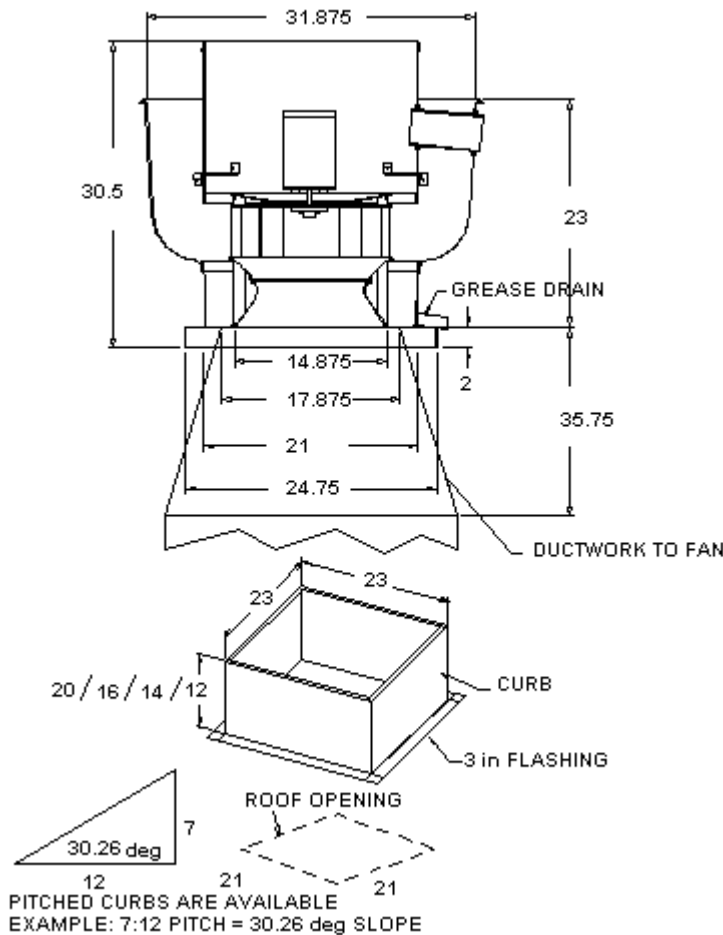
Model 48A17O11039 • 0.75 HP • 1 Phs • 115 V • 13 FLA • 60 Hz • ODP (Open Drip Proof)

**Performance**

- Volume: 3125 cfm
- SP: 0.5" w.g.
- BHP: 0.7162
- RPM: 1552
- Tip Speed: 6399 ft/min

**Construction Features**

- Housing constructed of heavy gauge aluminum •
- Centrifugal backward inclined, non-overloading wheel •
- Weatherproof safety disconnect switch • Grease spout welded to housing •
- Vibration isolators • Continuous duty, thermal protected, permanently lubricated, direct drive motor •
- Forces fresh air through motor to ensure long motor life •
- Variable Speed Control on Single Phase Units Only. (VFDs required to adjust speed for 3 phase versions) •
- Corrosion resistant fasteners •
- Thermal overload protection •
- High heat operation (400 °F) •
- Rated for restaurant and general ventilation applications •
- Grease classification tested



All dimensions nominal and in inches.

Rated for **restaurant** and **general ventilation** applications.

Curb for restaurant applications to be 20" high and vented.

Do **not** use backdraft damper or birdscreen on kitchen applications.



**DU85H** 103.51 lbs  
 High Speed Direct Drive Centrifugal Upblast Exhaust Fan with speed control (single phase only), disconnect switch and 15-3/4" wheel.

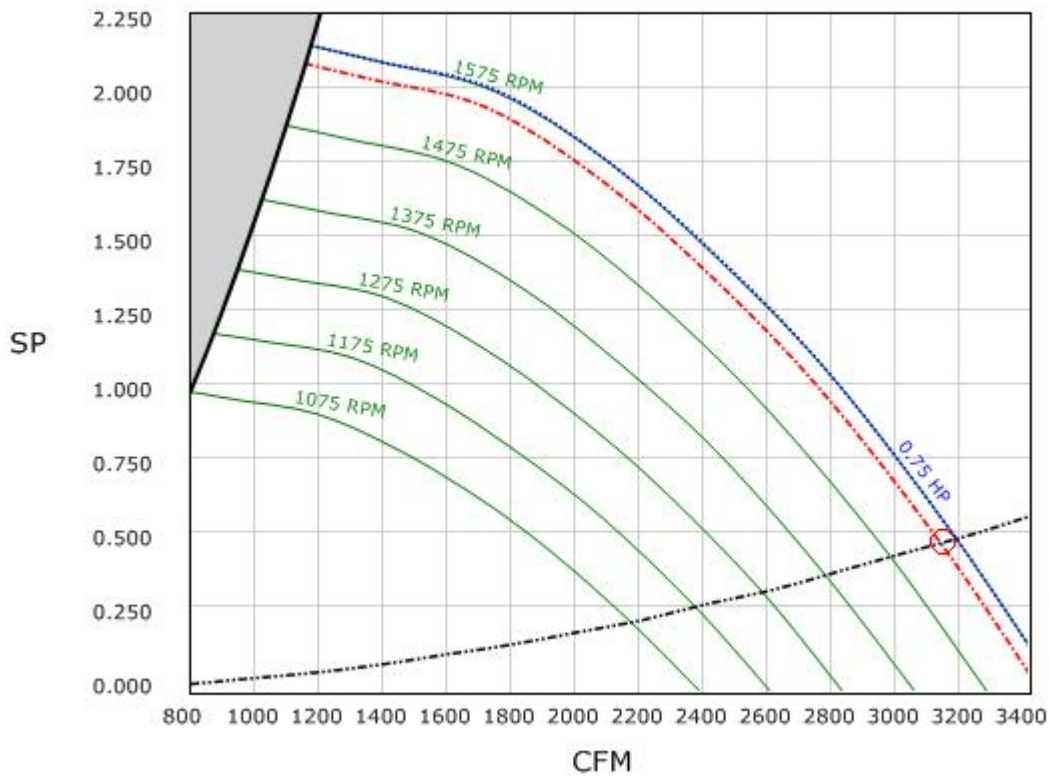
**Motor**

Model 48A17O11039 • 0.75 HP • 1 Phs • 115 V • 13 FLA • 60 Hz • ODP (Open Drip Proof)

**Performance**

Volume: 3125 cfm  
 SP: 0.5" w.g.  
 BHP: 0.7162  
 RPM: 1552  
 Tip Speed: 6399 ft/min

**3125 CFM, 0.5 SP @ 1552 RPM and 0.716 BHP at 0 feet and 70 deg F**  
 \* Please note that these curves were adjusted for job specific temperature and altitude.



**Sound Data**

Oct 1	Oct 2	Oct 3	Oct 4	Oct 5	Oct 6	Oct 7	Oct 8	Sones	LwA	dBA
74	82.8	86.7	79.3	76.6	76.2	71.8	63.8	21	83.8	72.3